

FLY 68



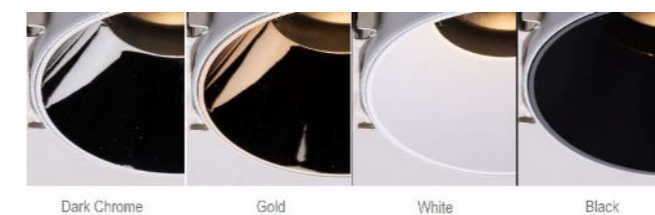
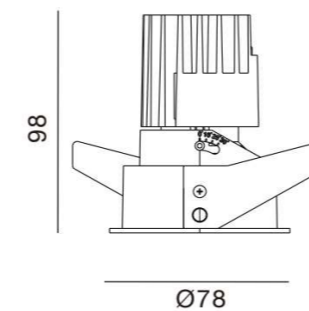
Recessed Downlight

Fly range of downlights gives the designer a wide range of aesthetic and optical solutions that work to create true quality lighting for designed spaces.

The Fly downlight is a modular construction that allows for the simple interchange of lenses and optical systems as well as secondary reflectors that are available in a wide range of specular and matt finishes. Adjustable for 30° tilt and 355° rotation, an innovative mechanical adjustment system with a tilt angle solid lock allows for fine tilt adjustment.

Fly is the essential ultra low glare downlight utilising a sophisticated dual optical system made from high grade materials. A multitude of optics and Colour temperature ranges with updated tuneable white options can be optioned to suit a wide range of lighting tasks from accent lighting and spotlighting through to general area illumination and wall washing.

Trimmed and Trimless bodies with adjustable ceiling thickness brackets are available including plaster recessed kits.



Diameter	78mm
Height	98mm
Cutout	68mm
Ingress Protection	IP44

Mounting	(R) Recessed
Adjustable	Yes

System Power	13W
Realised lumen	850 lm
Power supply	Remote
Voltage	31 VDC

Beam Angle	10°/ 24°/ 40°/ 55°
CRI	90+
UGR	<16
Step McAdam	<3
Lifetime	50,000 hours L90, B10

Colour Temperature	2700K
	3000K
	4000K
	Tunable White

Finish	Black
	White

Dimming	(N) On/Off
	(D) DALI
	(C) CASAMBI

Material	Aluminium
Reflector	Interchangeable
Warranty	5 Years

ANTI-GLARE ACCESSORY



Honeycomb mesh