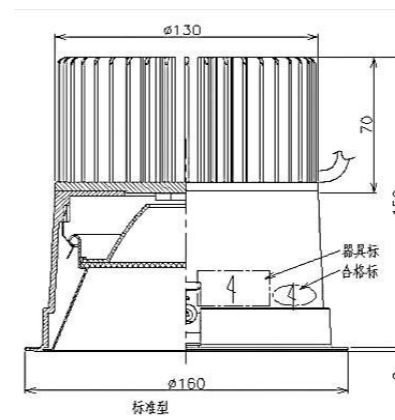


# SPARK 150



## Recessed Downlight

The Spark range of downlights offers fundamental design features necessary for good commercial lighting outcomes. Spark is the downlight to select when the design calls for a balance of high lumen output, even illumination, quality colour rendition and low glare optics. Available in a range of diameters and colour appearances, with a choice of lumen outputs and beam optics. Featuring compact height dimensions for restricted spaces and the ability to be installed into ceilings with a range of 5~25mm thickness. Surface Mount version available on request.



Surface Mount Housing



**KOIZUMI**  
— 違う発想がある

Diameter	160mm
Height	150mm
Cutout	150mm
Ingress Protection	IP44

Mounting	(R) Recessed
Adjustable	No

System Power	28W
Realised lumen	2717 lm
Power supply	Remote
Voltage	36 VDC

Beam Angle	15°/ 28°/ 62°
CRI	90+
UGR	<16
Step McAdam	<3
Lifetime	50,000 hours L90, B10

Colour Temperature	2700K
	3000K
	4000K

Finish	Black
	White

Dimming	(N) On/Off
	(D) DALI
	(C) CASAMBI

Material	Aluminium
Reflector	Interchangeable
Warranty	5 Years